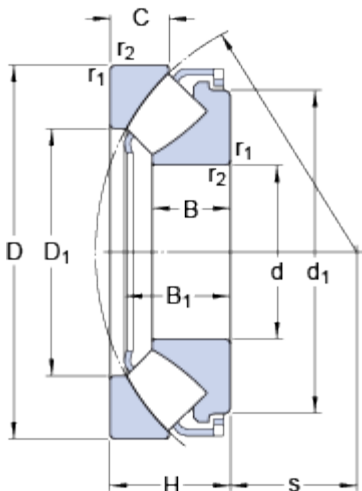


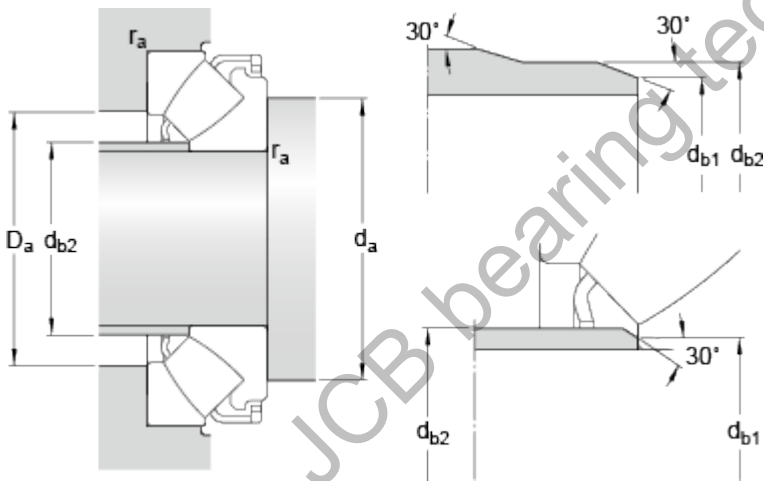
29456

Dimensions



d	280	mm
D	520	mm
H	145	mm
d ₁	≈ 464	mm
D ₁	≈ 372	mm
B	95	mm
B ₁	129.9	mm
C	70	mm
s	166	mm
r _{1,2}	min. 6	mm

Abutment dimensions



d _a	min. 395	mm
d _{b1}	max. 300	mm
d _{b2}	max. 320	mm
D _a	max. 446	mm
r _a	max. 5	mm

Calculation data

Basic dynamic load rating	C	4900	kN
Basic static load rating	C ₀	15300	kN
Fatigue load limit	P _u	1320	kN
Reference speed		670	r/min
Limiting speed		1200	r/min
Minimum axial load factor	A	22	

Mass

Mass bearing		135	kg
--------------	--	-----	----